

SINGLE-SOCKET MICRO-ATX EMBEDDED/ WS PLATFORM

S5535

S5535AG2NR / S5535AG2NR-HE



■ Intel® Q87/C226 Chipset

Entry single-socket for Embedded/Workstation Product

- Single LGA1150 socket
 - Supports (1) Intel® Core i3/ i5/ i7 (22nm/Haswell) series processors
 - Supports (1) Intel® Xeon E3-1200 v3, i3 (22nm/Haswell) series processor
 - Supports (1) Intel Xeon E3-1200 v3 & 4th Gen. Core i3 series processors (-HE SKU)
- Intel® Q87
 - Intel® Lynx Point C226 (-HE SKU)
- (4) 240-pin DDR3 DIMM slots
 - Support up to 32GB Unbuffered Non-ECC DDR3 1600/1333/1066
 - Support up to 32GB Unbuffered ECC DDR3 1600/1333/1066
- (1) PCI-E Gen.2 x1 slot
 - (1) PCI-E Gen.2 x8 slots (w/ x4 link)
 - (1) PCI-E Gen.3 x16 slot
- (5) SATA ports running at 6.0 Gb/s
- (2) GbE RJ45 (via Intel® I210 + via Intel® I217 PHY)
- Micro ATX (9.6"x9.6" , 243.8x243.8mm)

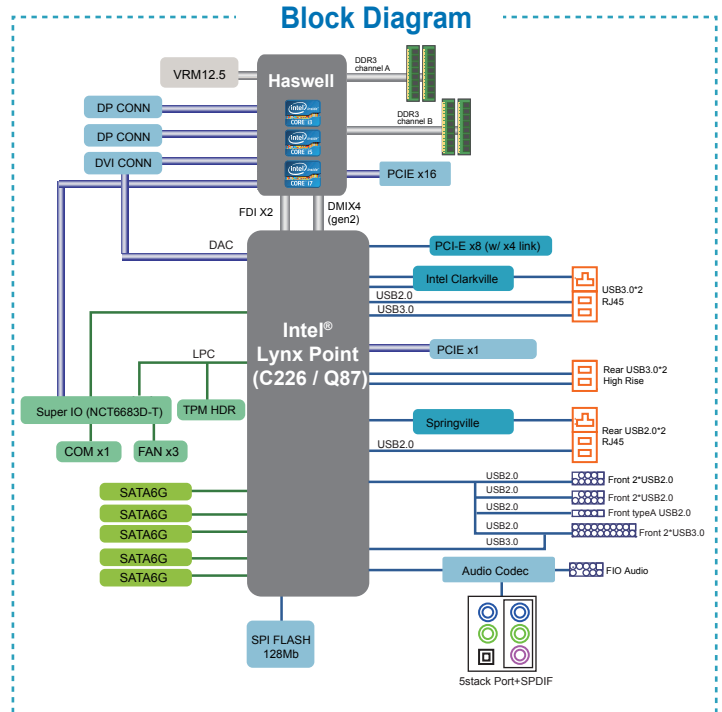


S5535

S5535AG2NR / S5535AG2NR-HE

TYAN Specifications

Processor	Supported CPU Series	Intel® Core i3/ i5/ i7 (22nm/Haswell) series processors (S5535AG2NR SKU) Intel® Xeon® E3-1200 v3, i3 (22nm/Haswell) series processors (S5535AG2NR-HE SKU)
	Socket Type / Q'ty	LGA 1150/ (1)
	Thermal Design Power (TDP) wattage	Max up to 95W
Chipset	Chipset / PCH	Intel® Q87 (S5535AG2NR SKU) Intel® Lynx Point C226 (S5535AG2NR-HE SKU)
	Super I/O	NCT6683D-T
	Supported DIMM Qty	(4) DIMM slots
Memory	DIMM Type / Speed	Unbuffered Non-ECC DDR3 1600/1333/1066(S5535AG2NR SKU) Unbuffered ECC DDR3 1600/1333/1066 (S5535AG2NR-HE SKU)
	Capacity	up to 32GB UDIMM
	Memory channel	2 Channels
	Memory voltage	1.5V
	Expansion Slots	PCI-E
LAN	Port Q'ty	(2) GbE
	Controller	Intel® I210, Intel I217(PHY)
Storage	Connector	(5) SATA
	Controller	Intel® Q87/ Intel® C226
	Speed	(6) 6.0 Gb/s
	RAID	RAID 0/1/10/5 (Intel® RST)
Graphic	Connector type	DVI-I / Display port 1.2a
	Chipset	Intel® Processor Graphics(pGFX)
Audio	Chipset	Realtek ALC892-GR
Input /Output	USB	(6) USB3.0 ports (4 at rear, 2 via cable)+(7) USB2.0 ports (2 at rear, 4 via cable, Type-A)
	COM	(1) header
	Audio	(1) 5 holes Audio Jack+SPDIF fiber connector
	VGA	-
	DVI	(1) DVI-I connector
	Display Port	(2) Display port 1.2a
	RJ-45	(2) GbE ports
	Front Panel	(1) 2x5-pin front panel header
	SATA	(5) SATA-III connectors
	System Monitoring	Chipset
Fan		Total (3) 4-pin headers
Temperature		Monitors temperature for CPU & memory
LED		Over temperature warning indicator / Fan & PSU fail LED indicator



BIOS	Brand / ROM size	AMI / 16MB
	Feature	User-configurable H/W monitoring / SMBIOS 2.7/PnP/Wake on LAN / ACPI 3.0/ACPI sleeping states S3,S4,S5 / PXE boot support
Form Factor	Form Factor	Micro ATX
	Board Dimension	9.6"x9.6" (243.8x243.8mm)
Operating System	OS supported list	Please refer to our Intel OS supported list.
	FCC (DoC)	Class A
Regulation	CE (DoC)	Yes
	Operating Temp.	10° C ~ 35° C (50° F~ 95° F)
Operating Environment	Non-operating Temp.	- 40° C ~ 70° C (-40° F ~ 158° F)
	In/Non-operating Humidity	90%, non-condensing at 35° C Non-operating Relative Humidity : 10% to 95% (non-condensing)
RoHS	RoHS 6/6 Compliant	Yes

(Specifications are subject to change without notice. Items pictured may only be representative.)

MITAC INTERNATIONAL CORP.
TYAN Business Unit

USA
Tel: +1-510-651-8868
Fax: +1-510-651-7688

Taiwan
Tel: +886-2-2652-5888
Fax: +886-2-2652-5805

Japan
Tel: +81-3-3769-8311
Fax: +81-3-3769-8328

Europe
Sales: +32 2456 1721
Technical Support: +32 2456 1722

China
Shanghai Tel: +86-21-61431188 Ext 1366
China Tel: +86-010-62555015 Ext 8302